

# Camaro

convertible 2011+  
Windrestrictor®



OFFICIAL  
LICENSED PRODUCT  
GM trademarks used  
under license to King  
Penn Industries Inc.

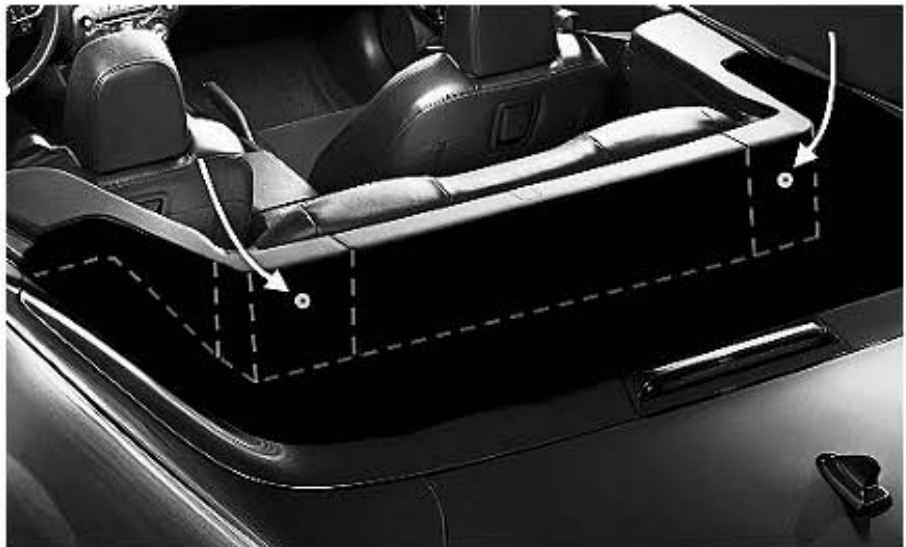
## INCLUDED IN THE KIT



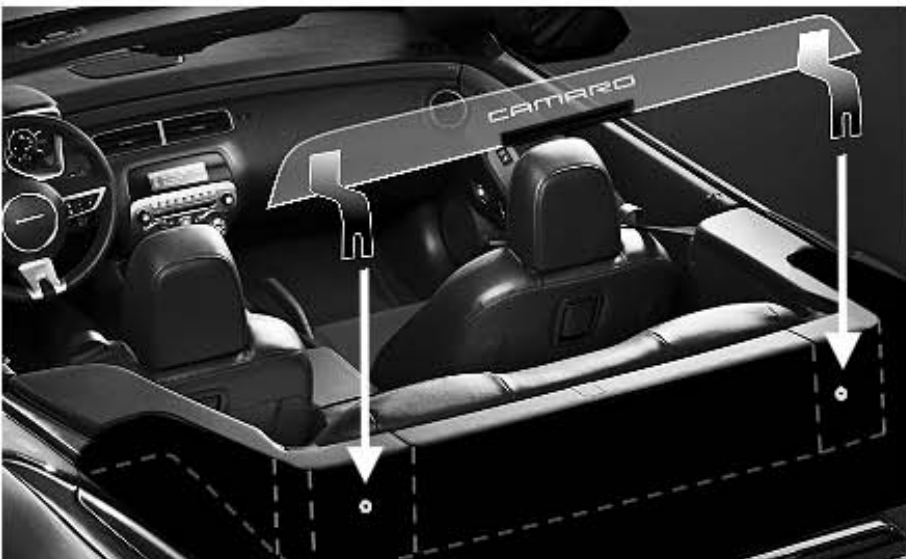
two mounting brackets  
two mounting plates  
6 bolts  
1 light bar  
1 battery pack  
1 wrench

## Installation

1. Using the wrench provided in box, slightly loosen the two bolts on rear panel that are used to hold the tonneau cover in place. Do not remove these or the nuts will fall down behind panel and you will have to retrieve them.



2. Mount the Windrestrictor by lowering the slotted brackets down on the bolts. The brackets should be installed with the bend to front of vehicle.



3. Using the wrench provided, tighten the bolts down on the brackets to secure the windscreen in place.



4. Hook the wires up from the Windrestrictor to the battery pack and install a new 9V battery. The wire from the light bar can be ran directly behind the seats and along side the passenger seat, mounted with velcro to the side panel.



For best results, the unit should be used with your windows in the up position. The Windrestrictor will only block the rear wind gusts for the passengers, not the side windflow.

