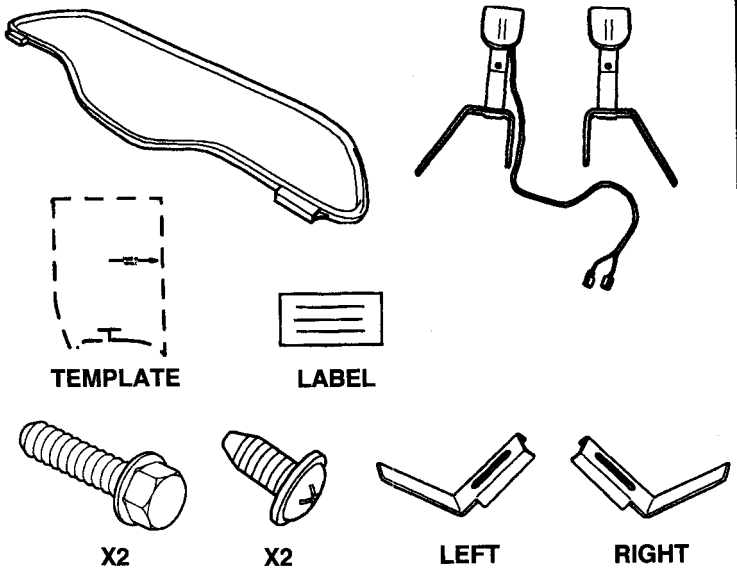
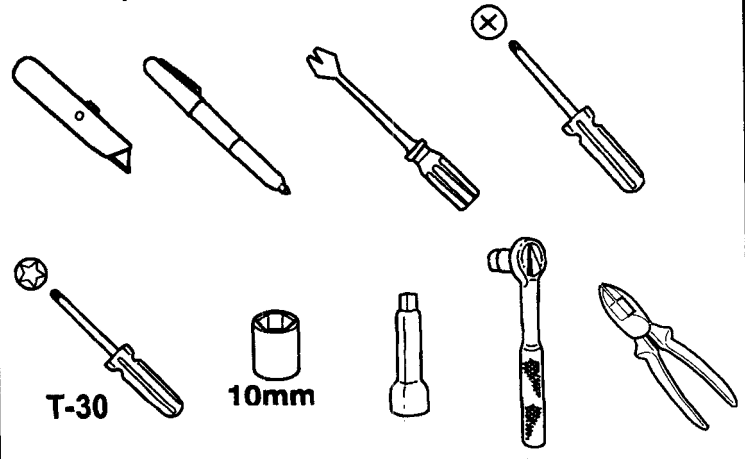


Windbreak

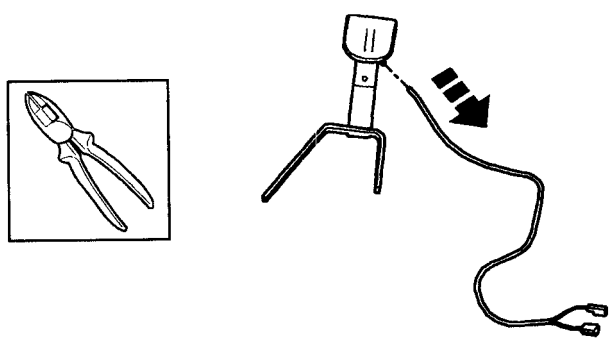
Kit Contents



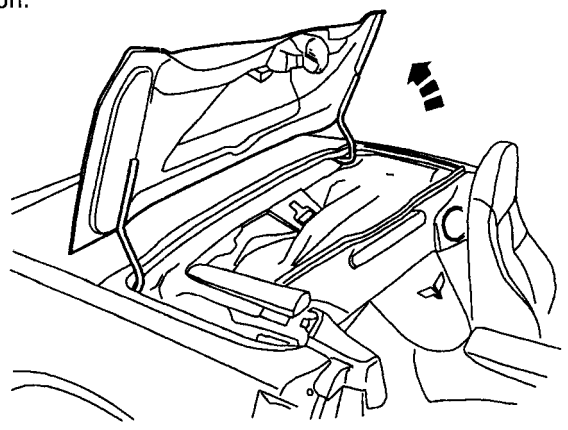
Tools Required



If vehicle is not equipped with power convertible top option, cut wire harness as shown and discard.

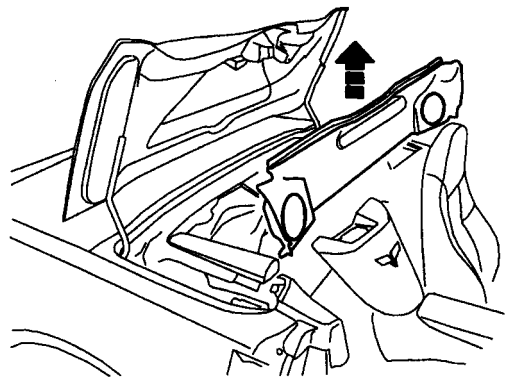


CAUTION: Powertop tonneau cover will stay open for 4 minutes, after elapsed time, tonneau will automatically disengage (start to close). Once disengaged, technician will need to re-engage (open) to continue with installation.

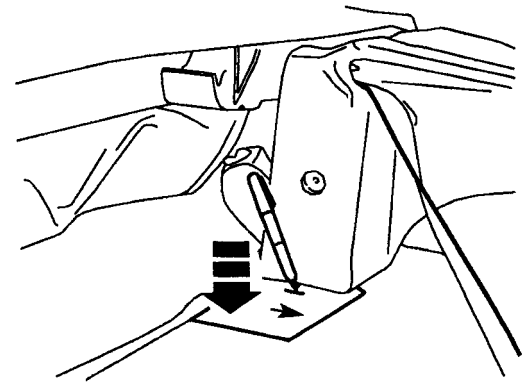
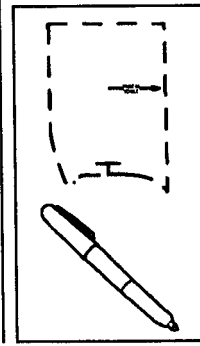
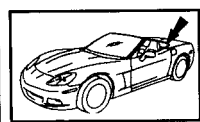


Installation

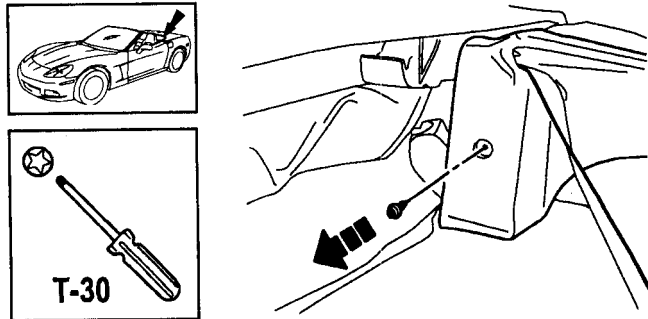
1. Remove Speaker Panel, refer to Service Manual for proper installation/removal steps.



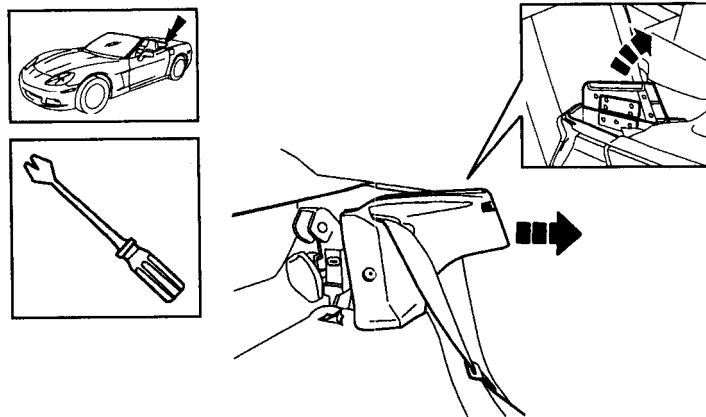
- 2a. Engage front seat fully forward and tilt seat-back forward.
- 2b. Mark "T-Slot" using the template on to carpet as shown.
- 2c. Repeat steps for opposite side.



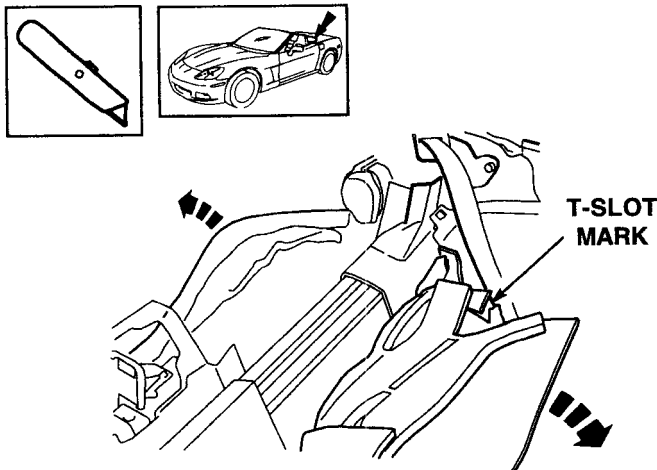
- 3a. Using T-30 torx, remove screw/bolt from trim bezel.
- 3b. Repeat step for opposite side.



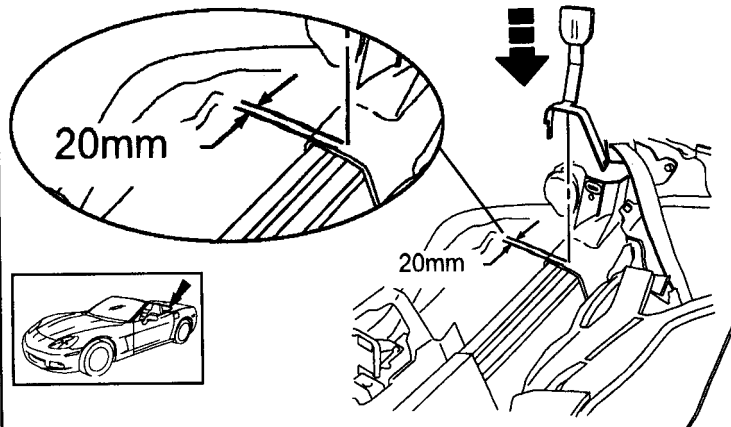
- 4a. Open car door.
- 4b. Using pry tool, remove trim bezel. Use caution in removing to avoid damage to attachment clip.
- 4c. Repeat steps for opposite side.



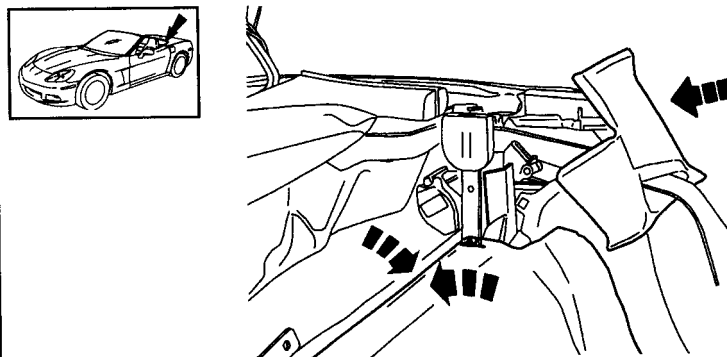
- 5a. Pull away carpet and foam liner.
- 5b. Cut marked "T-Slot".
- 5c. Repeat steps for opposite side.



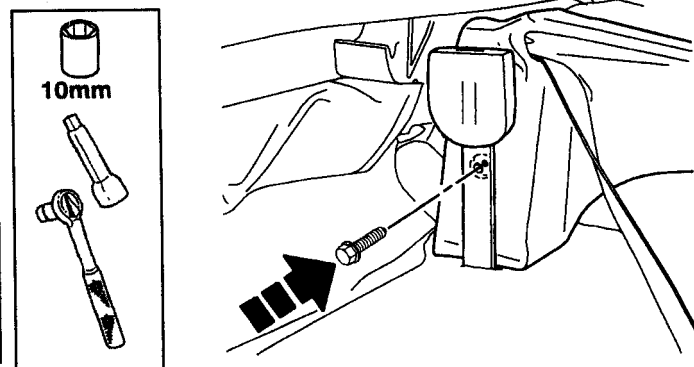
- 6a. Mark dimension from outer edge of seat belt tower base and install bracket as shown by snapping bracket to seat tower base.
- 6b. Repeat steps for opposite side.



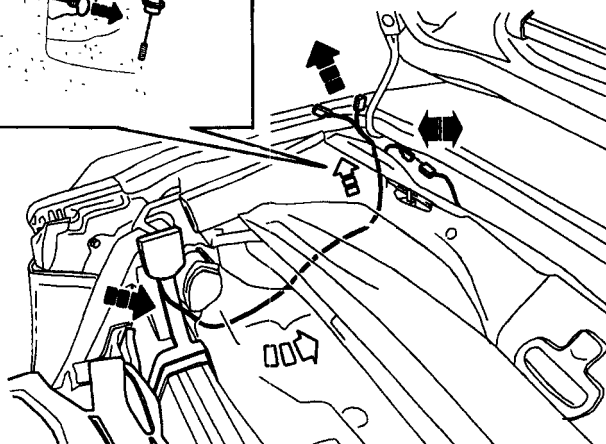
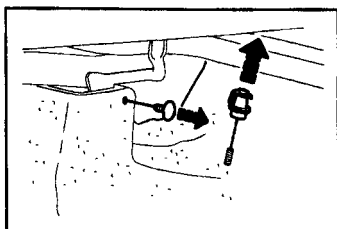
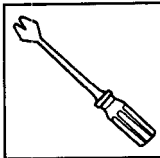
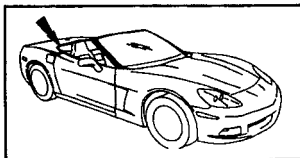
- 7a. If vehicle is not equipped with power convertible option, re-install foam, carpet and then trim. If vehicle is equipped with power convertible option, go to step 9.
- 7b. Repeat steps for opposite side.



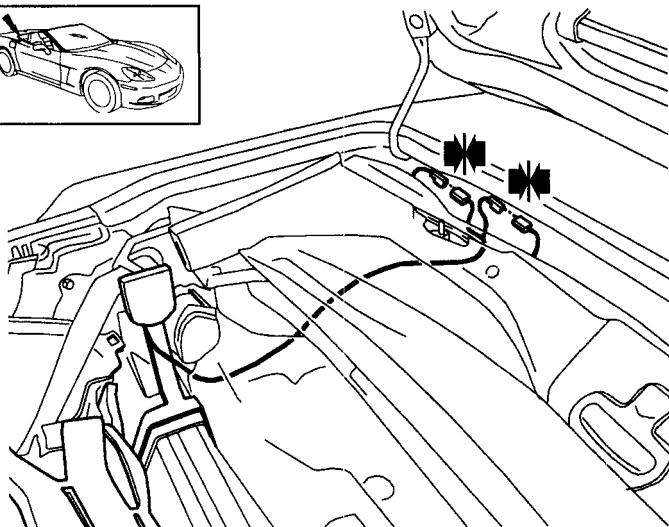
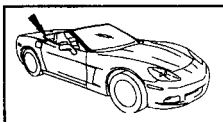
- 8a. Using 10mm Socket, install new screw included with kit into bracket and trim.
- 8b. Repeat steps for opposite side.
- 8c. Go to Step 13.



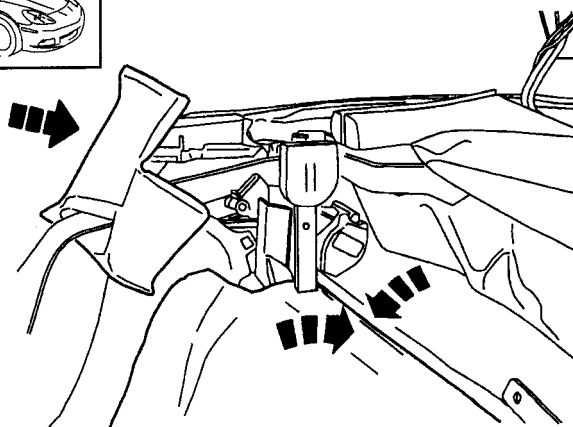
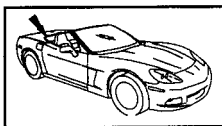
9. If vehicle is equipped with power convertible top option, route harness on bracket under carpet and foam, up to tonneau panel lower hinge area. Remove push pin and cargo hook to lift carpet. Disconnect the vehicle's power trunk panel harness connector as shown.



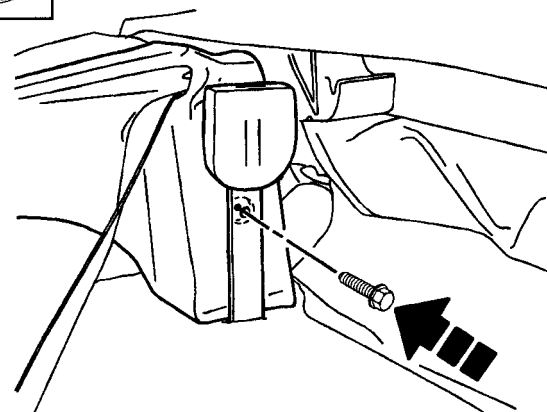
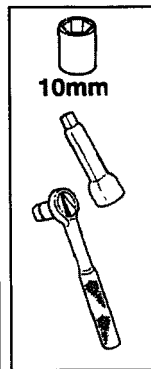
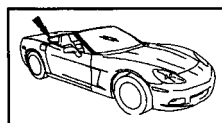
10. Connect the vehicle's trunk panel harness connector to the bracket harness connector as shown.



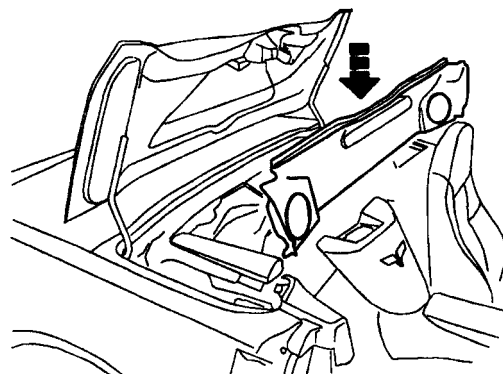
11. Re-install foam, carpet and trim.



12. Using 10mm Socket, install new screw included with kit into bracket and trim.

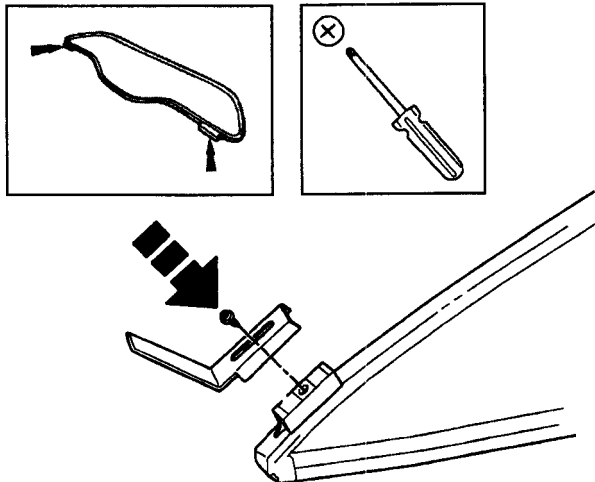


13. Install Speaker Panel, refer to Service Manual for proper installation/removal steps.

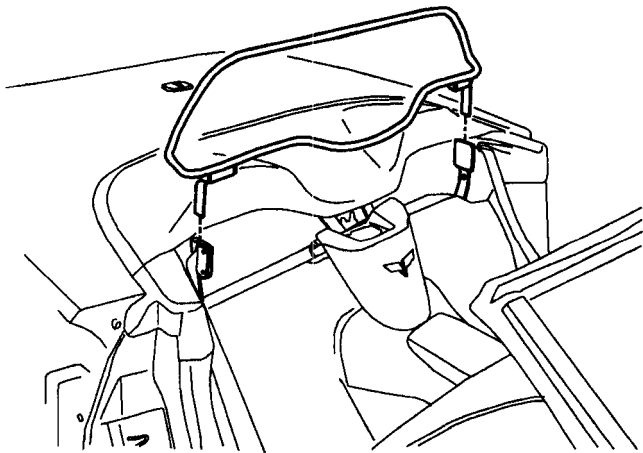


14. Using Phillips Head Screwdriver and screws included in kit, install brackets to both sides of the Windbreak as shown. Do not fully tighten screws as adjustment may be needed to ensure proper alignment.

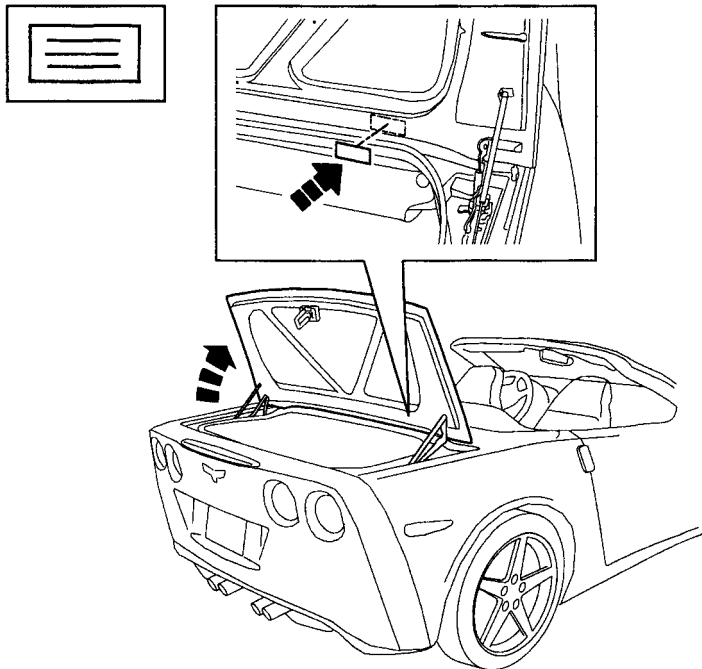
Note: Brackets are left and right hand specific.



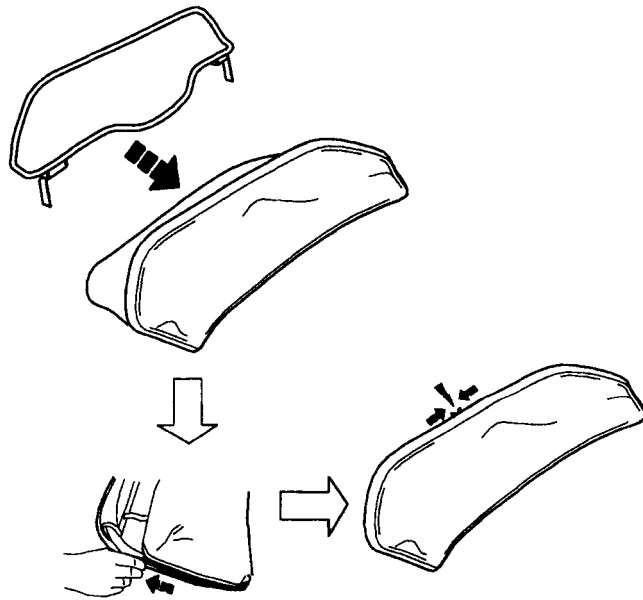
15. Close tonneau and install Windbreak as shown. If bracket and slots line up, the Windbreak is properly installed and technician should tighten bracket screws. If bracket and slots do not line up, adjust bracket accordingly then tighten bracket screws. Once Windbreak is properly installed, Corvette logo should be visible from rear of vehicle.



16. Open trunk. Adhere label on trunk decklid.



Storage



Care and Cleaning

- Always store the Windbreak in the bag when it is not in use.
- Please store flat in vehicle truck when not in use. To avoid damage, do not store or place items on Windbreak when stored.
- Windbreak should not be cleaned with harsh detergents. Clean only with water and a mild cleaner.
- When Windbreak is installed: to avoid damage of the Windbreak, do not put front seats in the most rearward position, they may contact Windbreak.
- Always remove and store Windbreak before putting top up or damage will occur.